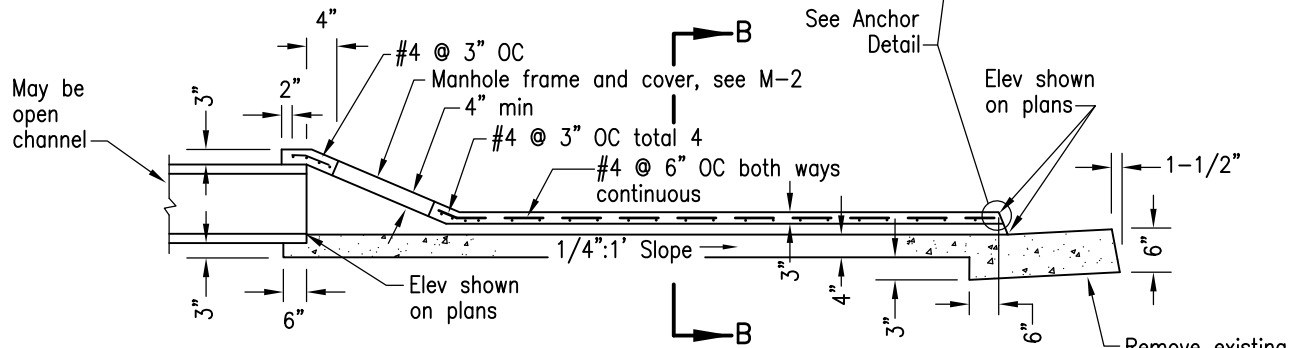
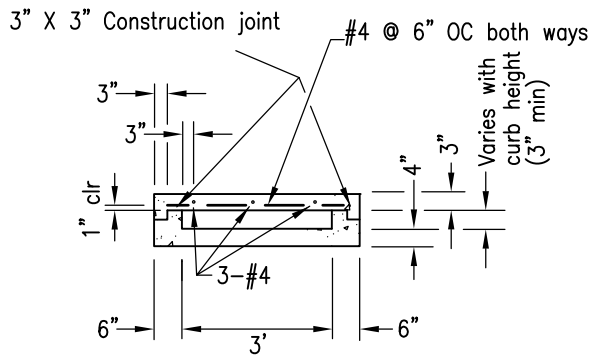


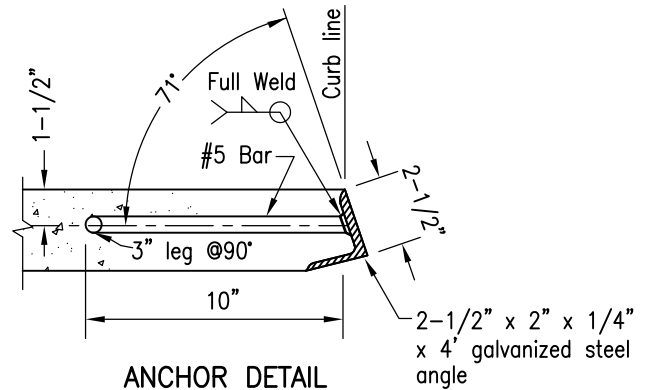
PLAN



SECTION A-A



SECTION B-B

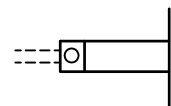


ANCHOR DETAIL

NOTES

1. Concrete shall be 560-C-3250.
2. D=inside diameter of pipe or depth of channel.
3. Section to be sloped laterally with top conforming to the grades of the existing sidewalk and curb.
4. Manhole frame and cover may be deleted with open channel.
5. Trowel finish top surface and reproduce markings of existing sidewalk and curb.
6. Trowel finish floor of outlet.
7. Provide 1/4" tooled groove in top slab in line with back of curb.

LEGEND ON PLANS



Revision	By	Approved	Date
ORIGINAL		Kercheval	12/75
Add Metric		T.Stanton	03/03
Reformatted		T.Stanton	04/06
Revised		T.Stanton	11/08
Edited	S.S.	T. Regello	03/11

SAN DIEGO REGIONAL STANDARD DRAWING

CURB OUTLET - TYPE A

RECOMMENDED BY THE SAN DIEGO REGIONAL STANDARDS COMMITTEE

T. Stanton 7/26/2012

Chairperson R.C.E. 19246 Date

DRAWING NUMBER **D-25**