

**Invitation to Bid (ITB) for
Meter Boxes and Poly Con Lids**

Addendum A

Solicitation Number:	10089587-20-B
Solicitation Issue Date:	September 12, 2019
Questions and Comments Due:	September 19, 2019 @ 12:00 p.m.
Response Due Date and Time (“Closing Date”):	October 7, 2019 @ 3:00 p.m.
Contract Terms:	Five (5) years from Effective Date, as defined in Article I, Section 1.2 of the City’s General Contract Terms and Provisions.
City Contact:	Beverly Asbill-Gumbs, Senior Procurement Contracting Officer 1200 Third Avenue, Suite 200 San Diego, California 92101 BAsbillGumbs@sandiego.gov (619) 236-5923
Submissions:	Bidder is required to provide one (1) original and one (1) electronic copy (e.g. thumb drive or CD) of their response as described herein. Completed and signed ITB signature page is required, with most recent addendum listed as acknowledgement of all addenda issued.

Note: Emailed submissions will not be accepted.

**CONTRACT RESULTING FROM INVITATION TO BID NUMBER 10089587-20-B, Meter Boxes
and Poly Con Lids (Rebid)**

This Contract (Contract) is entered into by and between the City of San Diego, a municipal corporation (City), and the successful bidder to Invitation to Bid (ITB) # 10089587-20-B, Meter Boxes and Poly Con Lids (Rebid) (Contractor).

RECITALS

On or about 9/12/2019, City issued an ITB to prospective bidders on goods to be provided to the City. The ITB and any addenda and exhibits thereto are collectively referred to as the "ITB." The ITB is attached hereto as Exhibit A.

City has determined that Contractor has the expertise, experience, and personnel necessary to provide the goods.

City wishes to retain Contractor to provide Meter boxes and Lids as further described in the Scope of Work, attached hereto as Exhibit B. (Goods).

For good and valuable consideration, the sufficiency of which is acknowledged, City and Contractor agree as follows:

**ARTICLE I
CONTRACTOR SERVICES**

1.1 Scope of Work. Contractor shall provide the Goods to City as described in Exhibit B which is incorporated herein by reference. Contractor will submit all required forms and information described in Exhibit A to the Purchasing Agent before providing Goods.

1.2 General Contract Terms and Provisions. This Contract incorporates by reference the General Contract Terms and Provisions, attached hereto as Exhibit C.

**ARTICLE II
DURATION OF CONTRACT**

2.1 Term. This Contract shall be for a period of five (5) years beginning on the Effective Date. The term of this Contract shall not exceed five years unless approved by the City Council by ordinance.

2.2 Effective Date. This Contract shall be effective on the date it is executed by the last Party to sign the Contract and approved by the City Attorney in accordance with San Diego Charter Section 40.

**ARTICLE III
COMPENSATION**

3.1 Amount of Compensation. City shall pay Contractor for delivery of Goods in accordance with this Contract in an amount not to exceed \$3,000,000.00

**ARTICLE IV
WAGE REQUIREMENTS**

4.1 Reserved.

**ARTICLE V
CONTRACT DOCUMENTS**

5.1 Contract Documents. The following documents comprise the Contract between the City and Contractor: this Contract and all exhibits thereto; the Notice to Proceed; and the City's written acceptance of exceptions or clarifications to the ITB, if any.

5.2 Contract Interpretation. The Contract Documents completely describe the goods to be provided. Contractor will provide any goods that may reasonably be inferred from the Contract Documents or from prevailing custom or trade usage as being required to produce the intended result whether or not specifically called for or identified in the Contract Documents. Words or phrases which have a well-known technical or construction industry or trade meaning and are used to describe goods will be interpreted in accordance with that meaning unless a definition has been provided in the Contract Documents.

5.3 Precedence. In resolving conflicts resulting from errors or discrepancies in any of the Contract Documents, the Parties will use the order of precedence as set forth below. The document highest in the order of precedence controls. Inconsistent provisions in the Contract Documents that address the same subject, are consistent, and have different degrees of specificity, are not in conflict and the more specific language will control. The order of precedence from highest to lowest is as follows:

- 1st The Contract
- 2nd The ITB and the City's written acceptance of any exceptions or clarifications to the ITB, if any
- 3rd Contractor's Pricing

5.4 Counterparts. This Contract may be executed in counterparts which, when taken together, shall constitute a single signed original as though all Parties had executed the same page.

5.5 Public Agencies. Other public agencies, as defined by California Government Code section 6500, may choose to use the terms of this Contract, subject to Contractor's

acceptance. The City is not liable or responsible for any obligations related to a subsequent Contract between Contractor and another public agency.

IN WITNESS WHEREOF, this Contract is executed by City and Contractor acting by and through their authorized officers.

CONTRACTOR

CITY OF SAN DIEGO
A Municipal Corporation

ARMORCAST PRODUCTS COMPANY
Bidder

BY: [Signature]

9140 LURLINE AVE.
Street Address

Print Name: Kristina Peralta

CHATSWORTH, CA 91311
City

Director
Purchasing & Contracting Department

(818) 982-3600
Telephone No.

29 Jan 2010
Date Signed

barryc@armorcastprod.com
E-Mail

BY: [Signature]
Signature of Bidder's Authorized Representative

Approved as to form this 21st day of August, 2020.
MARA W. ELLIOTT, City Attorney

BARRY CARPENTER
Print Name

BY: [Signature]
Deputy City Attorney

VP - SALES + MARKETING
Title

10/1/19
Date

**EXHIBIT A
INSTRUCTIONS AND BID REQUIREMENTS**

A. BID SUBMISSION

1. Timely Bid Submittal. Bids must be submitted as described herein to the Purchasing & Contracting Department (P&C).

1.1 Reserved.

1.2 Paper Bids. The City will accept paper bids in lieu of eBids. Paper bids must be submitted in a sealed envelope to the Purchasing & Contracting Department (P&C) located at 1200 Third Avenue, Suite 200, San Diego, CA 92101. The Solicitation Number and Closing Date must be referenced in the lower left-hand corner of the outside of the envelope. Faxed bids will not be accepted.

1.3 Bid Due Date. Bids must be submitted prior to the Closing Date indicated in the eBidding System. E-mailed and/or faxed bids will not be accepted.

1.4 Pre-Bid Conference. No pre-bid conference will be held for ITB.

1.4.1 Reserved.

1.5 Questions and Comments. Written questions and comments must be submitted electronically via the eBidding System no later than the date specified on the eBidding System. Only written communications relative to the procurement shall be considered. The City's eBidding System is the only acceptable method for submission of questions. All questions will be answered in writing. The City will distribute questions and answers without identification of the inquirer(s) to all bidders who are on record as having received this ITB via its eBidding System. No oral communications can be relied upon for this ITB. Addenda will be issued addressing questions or comments that are determined by the City to cause a change to any part of this ITB.

1.6 Contact with City Staff. Unless otherwise authorized herein, bidders who are considering submitting a bid in response to this ITB, or who submit a bid in response to this ITB, are prohibited from communicating with City staff about this ITB from the date this ITB is issued until a contract is awarded.

2. Submission of Information and Forms.

2.1 Completed and signed Contract Signature Page. If any addenda are issued, the latest Addendum Contract Signature Page is required.

2.2 Exceptions requested by bidder, if any. The bidder must present written factual or legal justification for any exception requested to the Scope of Work, Contract, or the Exhibits. Any exceptions to the Contract that have not been accepted by the City in writing are deemed rejected. The City, in its sole discretion, may accept some or all of

bidder's exceptions, reject bidder's exceptions and deem the bid non-responsive, or award the Contract without bidder's proposed exceptions.

2.3 The Contractor Standards Pledge of Compliance Form.

2.4 Equal Opportunity Contracting forms including the Work Force Report and Contractors Certification of Pending Actions.

2.5 Reserved

2.6 Reserved.

2.7 Reserved.

2.8 Additional Information as required in Exhibit B.

2.9 Reserved

2.10 Reserved

2.11 Reserved

3. Bid Review. Bidders are responsible for carefully examining the ITB, the Scope of Work, this Contract, and all documents incorporated into the Contract by reference before submitting a bid. If selected for award of contract, bidder shall be bound by same unless the City has accepted bidder's exceptions, if any, in writing.

4. Addenda. The City may issue addenda to this ITB as necessary. All addenda are incorporated into the Contract. The bidder is responsible for determining whether addenda were issued prior to a bid submission. Failure to respond to or properly address addenda may result in rejection of a bid.

5. Quantities. The estimated quantities provided by the City are not guaranteed. These quantities are listed for informational purposes only. Quantities vary depending on the demands of the City. Any variations from the estimated quantities shall not entitle the bidder to an adjustment in the unit price or any additional compensation.

6. Quality. Unless otherwise required, all goods furnished shall be new and the best of their kind.

6.1 Items Offered. Bidder shall state the applicable trade name, brand, catalog, manufacturer, and/or product number of the required good, if any, in the bid.

6.2 Brand Names. Any reference to a specific brand name in a solicitation is illustrative only and describes a component best meeting the specific operational, design, performance, maintenance, quality, or reliability standards and requirements of the City. Bidder may offer an equivalent or equal in response to a brand name referenced (Proposed

Equivalent). The City may consider the Proposed Equivalent after it is subjected to testing and evaluation which must be completed prior to the award of contract. If the bidder offers an item of a manufacturer or vendor other than that specified, the bidder must identify the maker, brand, quality, manufacturer number, product number, catalog number, or other trade designation. The City has complete discretion in determining if a Proposed Equivalent will satisfy its requirements. It is the bidder's responsibility to provide, at their expense, any product information, test data, or other information or documents the City requests to properly evaluate or demonstrate the acceptability of the Proposed Equivalent, including independent testing, evaluation at qualified test facilities, or destructive testing.

7. Modifications, Withdrawals, or Mistakes. Bidder is responsible for verifying all prices and extensions before submitting a bid.

7.1 Modification or Withdrawal of Bid before Bid Opening. Prior to the Closing Date, the bidder or bidder's authorized representative may modify or withdraw the bid by providing written notice of the bid modification or withdrawal to the City Contact via the eBidding System. E-mail or telephonic withdrawals or modifications are not permissible.

7.2 Bid Modification or Withdrawal of Bid After Bid Opening. Any bidder who seeks to modify or withdraw a bid because of the bidder's inadvertent computational error affecting the bid price shall notify the City Contact identified on the eBidding System no later than three working days following the Closing Date. The bidder shall provide worksheets and such other information as may be required by the City to substantiate the claim of inadvertent error. Failure to do so may bar relief and allow the City recourse from the bid surety. The burden is upon the bidder to prove the inadvertent error. If, as a result of a bid modification, the bidder is no longer the apparent successful bidder, the City will award to the newly established apparent successful bidder. The City's decision is final.

8. Incurred Expenses. The City is not responsible for any expenses incurred by bidders in participating in this solicitation process.

9. Public Records. By submitting a bid, the bidder acknowledges that any information submitted in response to this ITB is a public record subject to disclosure unless the City determines that a specific exemption in the California Public Records Act (CPRA) applies. If the bidder submits information clearly marked confidential or proprietary, the City may protect such information and treat it with confidentiality to the extent permitted by law. However, it will be the responsibility of the bidder to provide to the City the specific legal grounds on which the City can rely in withholding information requested under the CPRA should the City choose to withhold such information. General references to sections of the CPRA will not suffice. Rather, the bidder must provide a specific and detailed legal basis, including applicable case law, that clearly establishes the requested information is exempt from the disclosure under the CPRA. If the bidder does not provide a specific and detailed legal basis for requesting the City to withhold bidder's confidential or proprietary information at the time of bid submittal, City will release the information as required by the CPRA and bidder will hold the City, its elected officials, officers, and employees harmless for release of this information. It will be the bidder's obligation to defend, at bidder's expense, any legal actions or challenges seeking to obtain from the City any information requested

under the CPRA withheld by the City at the bidder's request. Furthermore, the bidder shall indemnify and hold harmless the City, its elected officials, officers, and employees from and against any claim or liability, and defend any action brought against the City, resulting from the City's refusal to release information requested under the CPRA which was withheld at bidder's request. Nothing in the Contract resulting from this bid creates any obligation on the part of the City to notify the bidder or obtain the bidder's approval or consent before releasing information subject to disclosure under the CPRA.

10. Right to Audit. The City Auditor may access bidder's records as described in San Diego Charter section 39.2 to confirm contract compliance.

B. PRICING

1. Fixed Price. All prices shall be firm, fixed, fully burdened, FOB destination, and include any applicable delivery or freight charges, and any other costs required to provide the requirements as specified in this ITB.

2. Taxes and Fees. Taxes and applicable local, state, and federal regulatory fees should not be included in the price proposal. Applicable taxes and regulatory fees will be added to the net amount invoiced. The City is liable for state, city, and county sales taxes but is exempt from Federal Excise Tax and will furnish exemption certificates upon request. All or any portion of the City sales tax returned to the City will be considered in the evaluation of bids.

3. Escalation. An escalation factor is not allowed unless called for in this ITB. If escalation is allowed, bidder must notify the City in writing in the event of a decline in market price(s) below the bid price. At that time, the City will make an adjustment in the Contract or may elect to re-solicit.

4. Unit Price. Unless the bidder clearly indicates that the price is based on consideration of being awarded the entire lot and that an adjustment to the price was made based on receiving the entire bid, any difference between the unit price correctly extended and the total price shown for all items shall be offered shall be resolved in favor of the unit price.

C. BID OPENING. All bids will be opened at, or immediately after, the time noticed for the bid opening in a location that is open to the public. No bidder or interested person will be excluded from the bid opening. Where no member of the public is in attendance, at least one City officer or employee, in addition to the City employee opening the bids, will be present. Bid results will be announced in the presence of those attending. The name of the project will be audibly announced to those present followed by the name of the bidder, the name of the surety, the amount of the bond, if required, and the total amounts or unit amounts bid. Any person present shall have the right to ask the announcements be repeated or to ask that omitted data be supplied. Such requests will be honored to the extent they do not unreasonably delay or interfere with the bid opening procedure, as determined at the sole discretion of the City employee opening the bids.

D. EVALUATION OF BIDS

1. **Low Bid Award.** A contract will be awarded to the lowest responsible and responsive bidder.
2. **Additional Information.** The City may require bidder to provide additional written or oral information to clarify responses.
3. **Sustainable Materials.** Consistent with Council Policy 100-14, the City encourages use of readily recyclable submittal materials that contain post-consumer recycled content.
4. **Waiver of Defects and Technicalities.** The City may waive defects and technicalities in bids when to do so is in the City's best interests.
5. **Rejection of All Bids.** The City may reject any and all bids when to do so is in the City's best interests.

E. ANNOUNCEMENT OF AWARD

1. **Award of Contract.** The City will inform all bidders of its intent to award a Contract in writing.
2. **Obtaining Bid Results.** Bid results may be obtained by: (1) attending the bid opening; (2) e-mailing a request to the City Contact identified on the eBidding System; or (3) visiting the P&C eBidding System to review the bid results. To ensure an accurate response, requests should reference the Solicitation Number. Bid results will not be released over the phone.
3. **Multiple Awards.** City may award more than one contract by awarding separate items or groups of items to various bidders. The additional administrative costs associated with awarding more than one Contract will be considered in the determination.

F. PROTESTS. The City's protest procedures are codified in Chapter 2, Article 2, Division 30 of the San Diego Municipal Code (SDMC). These procedures provide unsuccessful bidders with the opportunity to challenge the City's determination on legal and factual grounds. The City will not consider or otherwise act upon an untimely protest.

G. SUBMITTALS REQUIRED UPON NOTICE OF INTENT TO AWARD. The successful bidder is required to submit the following documents to P&C **within ten (10) business days** from the date on the Notice of Intent to Award letter:

1. **Insurance Documents.** Evidence of all required insurance, including all required endorsements, as specified in Article VII of the General Contract Terms and Provisions.

2. **Taxpayer Identification Number.** Internal Revenue Service (IRS) regulations require the City to have the correct name, address, and Taxpayer Identification Number (TIN) or Social Security Number (SSN) on file for businesses or persons who provide goods or services to the City. This information is necessary to complete Form 1099 at the end of each tax year. To comply with IRS regulations, the City requires each Contractor to provide a Form W-9 prior to the award of a Contract.

3. **Business Tax Certificate.** All businesses that contract with the City must have a current business tax certificate unless the City Treasurer determines the business is exempt.

4. **Reserved.**

5. **Reserved.**

The City may find the bidder to be non-responsive and award the Contract to the next responsible and responsive low bidder if the apparent successful bidder fails to timely provide the required information or documents.

**EXHIBIT B
SCOPE OF WORK**

A. OVERVIEW

The City of San Diego, Central Stores/Storeroom 2 (City) requires a Contractor to provide Meter Boxes and Poly Con Lids to be delivered, as needed, by the City.

B. BID SPECIFICATIONS

1. Manufacture Requirements

Meter box enclosures shall be manufactured from reinforced polymer concrete and fiberglass-reinforced polyester with all top surfaces being polymer concrete. All covers shall be manufactured by a closed molded process. The top surface of all covers shall have minimum static coefficient friction of 0.05. For Pricing Page Items 1-4, boxes and covers are to be installed in traffic areas designed for A-16 occasional to heavy traffic loading per ASTM-C857. Pricing Page Items 5 and 6 covers are to be installed in non-traffic areas and shall have cast iron reader lids that open less than ninety (90) degrees and designed for A-10 traffic loading per ASTM-C857. Traffic areas are defined as any location in which vehicular traffic is evident or highly likely under normal conditions. Non-traffic areas are locations with no vehicular traffic.

The cover and lid shall support without failure a total vertical load of at least one thousand (1,000) pounds when supported in a horizontal position in the meter box. The load shall be applied to the center of the lid by a cylindrical pin 1.952 inches in diameter, supported on a 1/2" thick rubber pad.

Any item offered to the City shall be in accordance with the materials listed in the following:

- 1.1 City of San Diego Water Department Approved Materials List; dated March 2018 (see Attachment A, page 10).
- 1.2 2018 edition of the Standard Specifications for Public Works Construction.
- 1.3 American Water Workers Association (AWWA) standards.
- 1.4 American Society of Testing and Material (ASTM C857) specifications.
- 1.5 Bidder must submit a certified written statement that meter boxes bid meet ASTM C857 specifications.
- 1.6 Meter Box and Meter Cover Drawings (see Attachment B, SDW 134, 135, and 136).

2. Material Requirements

- 2.1 **Chemical Resistance.** Materials utilized in the manufacture of the meter box shall be resistant to chemicals commonly found in the soil or the operating environment. They shall also be resistant to sunlight and any climatic conditions. Chemical resistance properties shall be determined using ASTM-D543.

2.2 **Flammability.** Materials shall be resistant to fire, including direct flame and heat; when the source of heat is removed, material tested shall not sustain burning. A maximum burning rate of 0.3 inches per minute for each 0.1 of thickness shall be required.

2.3 **Operating Temperature.** The meter boxes shall be able to withstand a temperature range of -40°F to +150°F without any detrimental effect.

2.4 **Color.** The Cover and the area of the box that is visible after installation shall be concrete grey.

2.5 **Impact Load.** Any point on the cover box shall withstand a 70 ft. per pound impact administered with a "C" Tup according to ASTM-D-2444.

3. **Design Requirements**

3.1 **Dimensions.** Meter box and cover dimensions shall conform to the approved drawings. (See Attachment B, SDW 134, 135, and 136.)

3.2 **Meter Boxes.** For 1" and 2" meter box sizes, the sides shall be tapered inward toward the top for stability and nesting when stacked. When nesting, meter boxes shall overlap at least two-thirds of their height. Meter boxes shall be designed to prevent jamming together when stacked. Meter boxes shall be provided with a bottom flange at least 1-1/2" wide to prevent settling in firm soil when subjected to specified load. The top of all meter boxes shall be configured to provide pavement interlocking to lock the boxes in concrete or asphaltic pavement when it is installed in sidewalks, driveways, etc.

3.3 **Logo.** Each sized cover shall have a logo reading "SD CITY WATER" as well as the manufacturer's name or logo cast in the polymer concrete surface.

4. **Drawings**

Drawings showing dimensions and configurations of the required components shall be submitted for approval. Drawings shall detail the materials used, thickness, weight, and color. Three (3) copies are to be submitted before bid opening at the address below. Failure to provide drawings before the date required may result in the bid being rejected as non-responsive.

- City of San Diego
Water Department
2797 Caminito Chollas
San Diego, CA 92105-5039

C. SAMPLES

1. Meter Boxes and Poly Con Lid Sample for Bid Evaluation

Bidders shall send, at Bidder's expense, two (2) samples of each item listed on Pricing Pages 3 and 4 to City of San Diego, Meter Shop/Water Department, 2797 Caminito Chollas, San Diego, CA 92105-5039, for testing purposes and will not be returned. Samples must be provided to the Meter Shop/Water Department between the hours of 7 AM and 3 PM Pacific Time. Samples must be received on or before noon on date specified by the City. If a bidder fails to submit a sample by the due date and time, the bid response will be rejected, and the Bidder deemed as non-responsive to the bid. Sample material shall include, at minimum, Name of Bidder, Date of Delivery, and Items Delivered. Please contact [Contact Name, Title, Phone Number] to schedule a time to drop off a sample

2. Meter Boxes and Poly Con Lid Sample after Award

The successful bidder may be required to provide to the City, at Bidder's expense, a sample of any product bid throughout the contract term. Samples may be used for testing purposes. The City shall notify the successful bidder, in writing, if samples are required. Samples shall be delivered to the City of San Diego, Central Stores/ Storeroom 2, 2773 Caminito Chollas, San Diego, CA 92105-5039, within seven (7) calendar days of notification. Failure to do so may result in the bid being rejected as non-responsive. The City shall be the sole judge as to the acceptability of meter boxes & lids for City use.

Meter boxes & lids shall be delivered separately. **Meter boxes shall not be stacked more than eight (8) high and shall be securely strapped to pallets.**

D. DELIVERY REQUIREMENTS

Contractor shall make deliveries to various City facilities. The primary delivery location is Central Stores/Storeroom 2 located at 2773 Caminito Chollas, San Diego, CA 92105-5039. The City reserves the right to add or remove delivery locations, as may be needed, throughout the contract period at no additional cost to the City.

Meter boxes & lids shall be delivered by the Contractor as required per issued purchase orders. Delivery will be made to the City of San Diego FOB Destination to Central Stores/Storeroom 2 located at 2773 Caminito Chollas, San Diego, CA 92105-5039.

Meter boxes shall be delivered unassembled and stacked no more than ten (10) high and securely strapped to pallets.

All deliveries must be accompanied by an invoice or delivery receipt which includes the price of the item being delivered. A copy of this document must be signed by the individual accepting delivery. All invoices and delivery tickets must reference applicable purchase order numbers and/or sub-order numbers.

Orders shall be delivered within thirty (30) calendar business days after receipt of the order (verbal and/or written).

In cases where the Contractor cannot deliver within this time-frame, the City reserves the right to obtain products, or an equivalent product, elsewhere and bill the Contractor for the

difference in cost between the Contractor's bid price and the emergency pricing paid by the City.

E. CERTIFICATION STATEMENT

A minimum life expectancy of twenty (20) years is required. Written certification statements from three (3) different water municipalities/water surveyors stating satisfactory performance for at least ten (10) years without any indication of material degradation shall be accepted as reasonable proof of achieving the twenty (20) year requirement.

F. DEPARTMENT REPRESENTATIVE

The Department Representative for this Contract is identified in the notice of award and is responsible for overseeing and monitoring this Contract.

G. PRICING SCHEDULE

The estimated annual quantities provided by the City are not guaranteed. The quantities may vary depending on the demands of the City. Any variations for these estimated quantities shall not entitle the Contractor to an adjustment in the unit price or any additional compensation. Bidder shall complete pricing Section A in its entirety to include the estimated annual bid total and estimated total contract value per the five (5) year contract term.

Section A: Goods

Item No.	Est. Annual Qty.	U/M	Material	Description	Price Per Unit Cost	Extension
1.	600	EA	22025631	Box Meter 1" W/O Cover Polymer. SDW 134 <i>A6001946 X12</i>	\$ <u>68.95</u>	\$ <u>41,370.00</u>
2.	1000	EA	22025633	Box Meter 10" x 20" x 12" RPM, 20K Load Rated. A6000486 <i>A6000486</i>	\$ <u>41.15</u>	\$ <u>41,150.00</u>
3.	1000	EA	22025634	Cover Meter Box 10x20 RPM 1 PC 20K A6000483T <i>A6000483T</i>	\$ <u>37.76</u>	\$ <u>37,760.00</u>
4.	300	EA	22025643	Box Meter 2" W/O Cover Polymer SDW-135 <i>A6001417 x 16</i>	\$ <u>84.78</u>	\$ <u>25,434.00</u>
5.	1000	EA	22025877	Cover Meter box 1" 20K SDW-136 <i>A6001969LT</i>	\$ <u>44.75</u>	\$ <u>44,750.00</u>
6.	200	EA	22025880	Cover Meter Box, 1 PC, 20K #A6001922 <i>A6001922-SDND</i>	\$ <u>36.94</u>	\$ <u>7,388.00</u>
7.	400	EA	22025891	Cover Meter Box for 1-1/2" - 2" 20K SDW 136 <i>A6001418T</i>	\$ <u>72.97</u>	\$ <u>29,188.00</u>
8.	300	EA	22100099	Cover Meter Box 10x15x1 3/4 "9X" 20K A6001922T-9X# <i>A6001922T-9X</i>	\$ <u>36.94</u>	\$ <u>11,082.00</u>
9.	300	EA	22100100	Cover Meter Box 13x24x2 "9X" 20K A6001969LT-9X <i>A6001969LT-9X</i>	\$ <u>44.75</u>	\$ <u>13,425.00</u>
Estimated Annual Bid Total for Line Items 1 - 9						\$ <u>251,547.00</u>
Estimated Total Contract Value (Est. Annual Bid Total x 5-year Contract Term)						\$ <u>1,257,735.00</u>

ATTACHMENT A

CITY OF SAN DIEGO PUBLIC UTILITIES DEPARTMENT
APPROVED MATERIALS LIST
WATER DISTRIBUTION

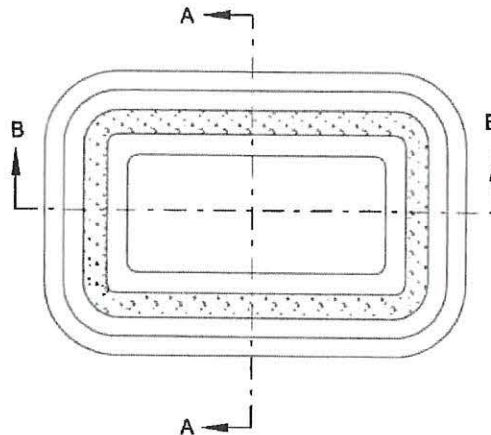
SUBJECT	SPEC. REF.	MANUFACTURER (Series/Model No.)	SELECTION	ADDITIONAL REQUIREMENTS
D. Meter Boxes				
(1) Polymer-Concrete Meter Box Sizes: 10"x15" Box and Cover 12"x20" Box and Cover 13"x24" Box and Cover 17"x30" Cover 9"x14" Cover	*212-10 SDW-134 to SDW 137	Armorcast Products: (A6001921X12, A6001922T) (A6000485, A6000484) (A6001946PCX12, A6001969-LT) (A6001947T) (A6000482T) CDR (1" & 2" water service only)	<input type="checkbox"/> <input type="checkbox"/> <input type="checkbox"/> <input type="checkbox"/> <input type="checkbox"/>	
(2) Concrete Meter Box	*212-10 SDW 113	Brooks Products San Diego Precast Eisel Enterprises (Nos. 6 and 37)	<input type="checkbox"/> <input type="checkbox"/> <input type="checkbox"/>	Use of concrete meter boxes requires approval by Public Utilities, Water Systems staff
(3) Composite Meter Box	*212-10	Oldcastle Fibrelyte w/ Lid (FL09, FL12, FL30, FL36) Oldcastle Carson Heavy Wall w/ Lid (1015, 1118, 1416, 1324, 1527, 1730)	<input type="checkbox"/> <input type="checkbox"/>	

*References are to the current edition of the Standard Specifications for Public Works Construction, the "GREENBOOK", and/or the "WHITEBOOK" or the latest version of the AWWA Standards and ASTM Specifications.

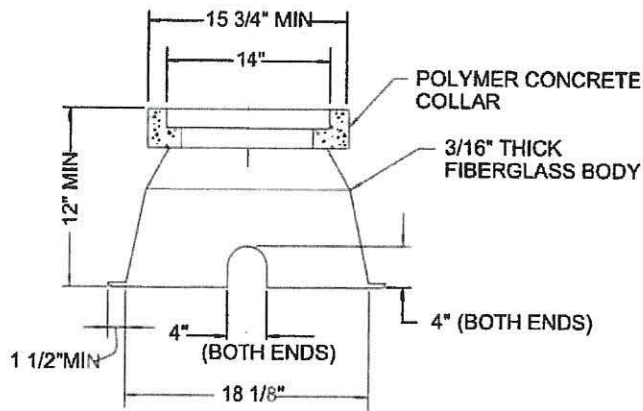
Any projects funded by the Clean Water State Revolving Fund (CWSRF) and/or Drinking Water State Revolving Fund (DWSRF) require iron and steel products must be produced in the United States to meet the "American Iron and Steel (AIS)" requirements, unless the Environmental Protection Agency (EPA) waives the AIS requirement.

Revised March 2018

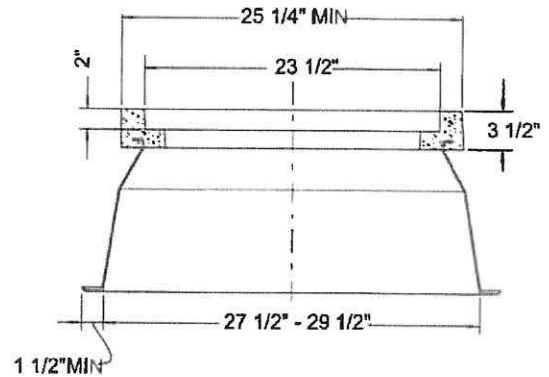
ATTACHMENT B



PLAN VIEW



SECTION A-A



SECTION B-B

NOTES:

1. METER BOX COLLAR AND COVER SHALL BE OF POLYMER CONCRETE REINFORCED WITH CONTINUOUS LAYERS OF WOVEN FIBERGLASS.
2. BOX AND COVER SHALL WITHSTAND AASHTO H-20 (ASTM C857).
3. FOR COVER DETAIL WITH DROP IN READER LID, SEE SDW-136.
4. SEE SDW-137 FOR INSTALLATION PROCEDURE.

REVISION	BY	APPROVED	DATE
ORIGINAL	SS	A. OSKOU	12/03
UPDATED	KA	J. NAGELVOORT	01/12
UPDATED	HM	J. NAGELVOORT	02/16
REDRAFTED	CD	J. NAGELVOORT	09/18

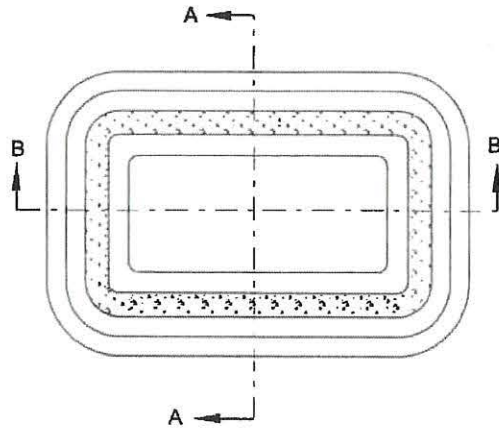
CITY OF SAN DIEGO - STANDARD DRAWING

POLYMER CONCRETE WATER METER BOX FOR 1" WATER SERVICE

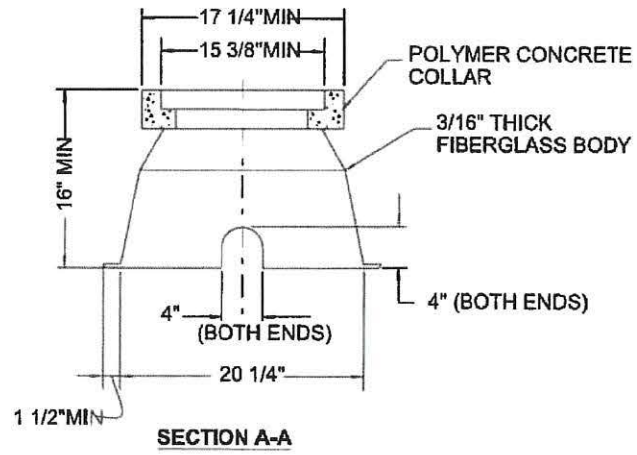
RECOMMENDED BY THE CITY OF SAN DIEGO STANDARDS COMMITTEE

Chung 9/4/18
COORDINATOR R.C.E. 56523 DATE

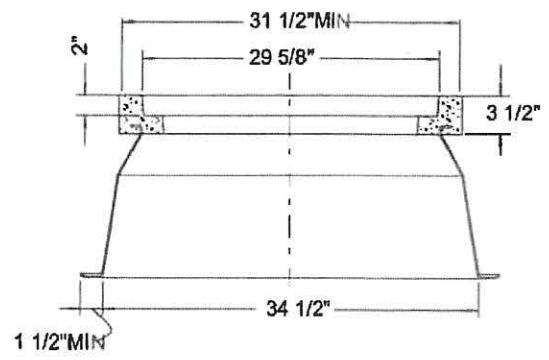
DRAWING NUMBER **SDW-134**



PLAN VIEW



SECTION A-A



SECTION B-B

NOTES

1. METER BOX COLLAR AND COVER SHALL BE OF POLYMER CONCRETE REINFORCED WITH CONTINUOUS LAYERS OF WOVEN FIBERGLASS.
2. BOX AND COVER SHALL WITHSTAND AASHTO H-20 (ASTM C857).
3. FOR COVER DETAIL WITH READER LID, SEE SDW-136.
4. SEE SDW-137 FOR INSTALLATION PROCEDURE.

REVISION	BY	APPROVED	DATE
ORIGINAL	SS	A OSKOJI	1203
UPDATED	KA	J. NAGELVOORT	01/12
REDRAFTED	CD	J. NAGELVOORT	09/18

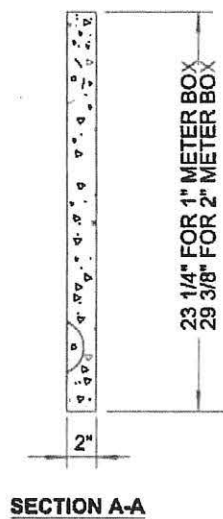
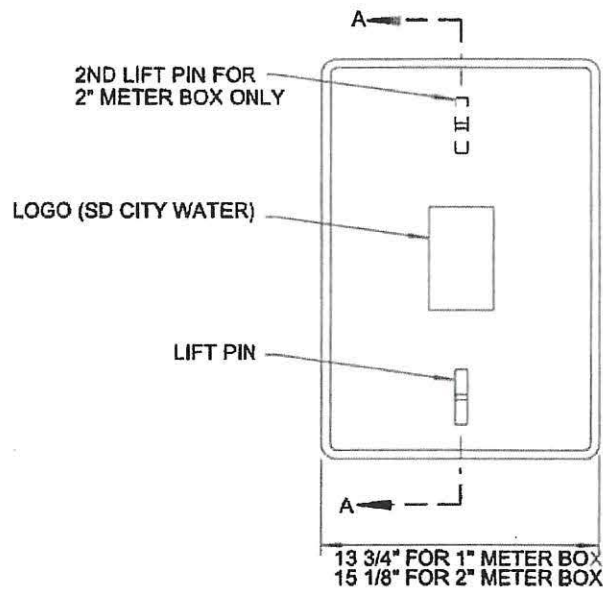
CITY OF SAN DIEGO - STANDARD DRAWING

**POLYMER CONCRETE WATER
METER BOX FOR 2" WATER SERVICE**

RECOMMENDED BY THE CITY
OF SAN DIEGO STANDARDS COMMITTEE

Chung 9/4/18
COORDINATOR R.C.E. 56523 DATE

DRAWING NUMBER **SDW-135**



SOLID COVER FOR TRAVELED WAY

NOTES:

1. LID SHALL WITHSTAND AASHTO H-20 (ASTM 857).
2. LID SHALL HAVE NON-SKID SURFACE.

SHEET 1 OF 2

REVISION	BY	APPROVED	DATE	CITY OF SAN DIEGO - STANDARD DRAWING	RECOMMENDED BY THE CITY OF SAN DIEGO STANDARDS COMMITTEE
ORIGINAL	SS	A. OSKOU	1203		
UPDATED	KA	J. NAGELVOORT	01/12		
UPDATED	BB	J. NAGELVOORT	06/14		
REDRAFTED	CD	J. NAGELVOORT	09/18		
					DRAWING NUMBER SDW-136

EXHIBIT C



THE CITY OF SAN DIEGO
GENERAL CONTRACT TERMS AND PROVISIONS
APPLICABLE TO GOODS, SERVICES, AND CONSULTANT CONTRACTS

ARTICLE I
SCOPE AND TERM OF CONTRACT

1.1 Scope of Contract. The scope of contract between the City and a provider of goods and/or services (Contractor) is described in the Contract Documents. The Contract Documents are comprised of the Request for Proposal, Invitation to Bid, or other solicitation document (Solicitation); the successful bid or proposal; the letter awarding the contract to Contractor; the City's written acceptance of exceptions or clarifications to the Solicitation, if any; and these General Contract Terms and Provisions.

1.2 Effective Date. A contract between the City and Contractor (Contract) is effective on the last date that the contract is signed by the parties and approved by the City Attorney in accordance with Charter section 40. Unless otherwise terminated, this Contract is effective until it is completed or as otherwise agreed upon in writing by the parties, whichever is the earliest. A Contract term cannot exceed five (5) years unless approved by the City Council by ordinance.

1.3 Contract Extension. The City may, in its sole discretion, unilaterally exercise an option to extend the Contract as described in the Contract Documents. In addition, the City may, in its sole discretion, unilaterally extend the Contract on a month-to-month basis following contract expiration if authorized under Charter section 99 and the Contract Documents. Contractor shall not increase its pricing in excess of the percentage increase described in the Contract.

ARTICLE II
CONTRACT ADMINISTRATOR

2.1 Contract Administrator. The Purchasing Agent or designee is the Contract Administrator for purposes of this Contract, and has the responsibilities described in this Contract, in the San Diego Charter, and in Chapter 2, Article 2, Divisions 5, 30, and 32.

2.1.1 Contractor Performance Evaluations. The Contract Administrator will evaluate Contractor's performance as often as the Contract Administrator deems necessary throughout the term of the contract. This evaluation will be based on criteria including the quality of goods or services, the timeliness of performance, and adherence to applicable laws, including prevailing wage and living wage. City will provide Contractors who receive an unsatisfactory rating with a copy of the evaluation and an opportunity to respond. City may consider final evaluations, including Contractor's response, in evaluating future proposals and bids for contract award.

2.2 Notices. Unless otherwise specified, in all cases where written notice is required under this Contract, service shall be deemed sufficient if the notice is personally delivered or deposited in the United States mail, with first class postage paid, attention to the Purchasing Agent. Proper notice is effective on the date of personal delivery or five (5) days after deposit in a United States postal mailbox unless provided otherwise in the Contract. Notices to the City shall be sent to:

Purchasing Agent
City of San Diego, Purchasing and Contracting Division
1200 3rd Avenue, Suite 200
San Diego, CA 92101-4195

ARTICLE III COMPENSATION

3.1 Manner of Payment. Contractor will be paid monthly, in arrears, for goods and/or services provided in accordance with the terms and provisions specified in the Contract.

3.2 Invoices.

3.2.1 Invoice Detail. Contractor's invoice must be on Contractor's stationary with Contractor's name, address, and remittance address if different. Contractor's invoice must have a date, an invoice number, a purchase order number, a description of the goods or services provided, and an amount due.

3.2.2 Service Contracts. Contractor must submit invoices for services to City by the 10th of the month following the month in which Contractor provided services. Invoices must include the address of the location where services were performed and the dates in which services were provided.

3.2.3 Goods Contracts. Contractor must submit invoices for goods to City within seven days of the shipment. Invoices must describe the goods provided.

3.2.4 Parts Contracts. Contractor must submit invoices for parts to City within seven calendar (7) days of the date the parts are shipped. Invoices must include the manufacturer of the part, manufacturer's published list price, percentage discount applied in accordance with Pricing Page(s), the net price to City, and an item description, quantity, and extension.

3.2.5 Extraordinary Work. City will not pay Contractor for extraordinary work unless Contractor receives prior written authorization from the Contract Administrator. Failure to do so will result in payment being withheld for services. If approved, Contractor will include an invoice that describes the work performed and the location where the work was performed, and a copy of the Contract Administrator's written authorization.

3.2.6 Reporting Requirements. Contractor must submit the following reports using the City's web-based contract compliance portal. Incomplete and/or delinquent reports may cause payment delays, non-payment of invoice, or both. For questions, please view the City's online tutorials on how to utilize the City's web-based contract compliance portal.

3.2.6.1 Monthly Employment Utilization Reports. Contractor and Contractor's subcontractors and suppliers must submit Monthly Employment Utilization Reports by the fifth (5th) day of the subsequent month.

3.2.6.2 Monthly Invoicing and Payments. Contractor and Contractor's subcontractors and suppliers must submit Monthly Invoicing and Payment Reports by the fifth (5th) day of the subsequent month.

3.3 Annual Appropriation of Funds. Contractor acknowledges that the Contract term may extend over multiple City fiscal years, and that work and compensation under this Contract is contingent on the City Council appropriating funding for and authorizing such work and compensation for those fiscal years. This Contract may be terminated at the end of the fiscal year for which sufficient funding is not appropriated and authorized. City is not obligated to pay Contractor for any amounts not duly appropriated and authorized by City Council.

3.4 Price Adjustments. Based on Contractor's written request and justification, the City may approve an increase in unit prices on Contractor's pricing pages consistent with the amount requested in the justification in an amount not to exceed the increase in the Consumer Price Index, San Diego Area, for All Urban Customers (CPI-U) as published by the Bureau of Labor Statistics, or 5.0%, whichever is less, during the preceding one year term. If the CPI-U is a negative number, then the unit prices shall not be adjusted for that option year (the unit prices will not be decreased). A negative CPI-U shall be counted against any subsequent increases in the CPI-U when calculating the unit prices for later option years. Contractor must provide such written request and justification no less than sixty days before the date in which City may exercise the option to renew the contract, or sixty days before the anniversary date of the Contract. Justification in support of the written request must include a description of the basis for the adjustment, the proposed effective date and reasons for said date, and the amount of the adjustment requested with documentation to support the requested change (e.g. CPI-U or 5.0%, whichever is less). City's approval of this request must be in writing.

ARTICLE IV SUSPENSION AND TERMINATION

4.1 City's Right to Suspend for Convenience. City may suspend all or any portion of Contractor's performance under this Contract at its sole option and for its convenience for a reasonable period of time not to exceed six (6) months. City must first give ten (10) days' written notice to Contractor of such suspension. City will pay to Contractor a sum equivalent to the reasonable value of the goods and/or services satisfactorily provided up to the date of suspension. City may rescind the suspension prior to or at six (6) months by providing Contractor with written notice of the rescission, at which time Contractor would be required to resume performance in compliance with the terms and provisions of this Contract. Contractor will be entitled to an extension of time to complete performance under the Contract equal to the length of the suspension unless otherwise agreed to in writing by the Parties.

4.2 City's Right to Terminate for Convenience. City may, at its sole option and for its convenience, terminate all or any portion of this Contract by giving thirty (30) days' written notice of such termination to Contractor. The termination of the Contract shall be effective upon receipt of the notice by Contractor. After termination of all or any portion of the Contract, Contractor shall: (1) immediately discontinue all affected performance (unless the notice directs

otherwise); and (2) complete any and all additional work necessary for the orderly filing of documents and closing of Contractor's affected performance under the Contract. After filing of documents and completion of performance, Contractor shall deliver to City all data, drawings, specifications, reports, estimates, summaries, and such other information and materials created or received by Contractor in performing this Contract, whether completed or in process. By accepting payment for completion, filing, and delivering documents as called for in this section, Contractor discharges City of all of City's payment obligations and liabilities under this Contract with regard to the affected performance.

4.3 City's Right to Terminate for Default. Contractor's failure to satisfactorily perform any obligation required by this Contract constitutes a default. Examples of default include a determination by City that Contractor has: (1) failed to deliver goods and/or perform the services of the required quality or within the time specified; (2) failed to perform any of the obligations of this Contract; and (3) failed to make sufficient progress in performance which may jeopardize full performance.

4.3.1 If Contractor fails to satisfactorily cure a default within ten (10) calendar days of receiving written notice from City specifying the nature of the default, City may immediately cancel and/or terminate this Contract, and terminate each and every right of Contractor, and any person claiming any rights by or through Contractor under this Contract.

4.3.2 If City terminates this Contract, in whole or in part, City may procure, upon such terms and in such manner as the Purchasing Agent may deem appropriate, equivalent goods or services and Contractor shall be liable to City for any excess costs. Contractor shall also continue performance to the extent not terminated.

4.4 Termination for Bankruptcy or Assignment for the Benefit of Creditors. If Contractor files a voluntary petition in bankruptcy, is adjudicated bankrupt, or makes a general assignment for the benefit of creditors, the City may at its option and without further notice to, or demand upon Contractor, terminate this Contract, and terminate each and every right of Contractor, and any person claiming rights by and through Contractor under this Contract.

4.5 Contractor's Right to Payment Following Contract Termination.

4.5.1 Termination for Convenience. If the termination is for the convenience of City an equitable adjustment in the Contract price shall be made. No amount shall be allowed for anticipated profit on unperformed services, and no amount shall be paid for an as needed contract beyond the Contract termination date.

4.5.2 Termination for Default. If, after City gives notice of termination for failure to fulfill Contract obligations to Contractor, it is determined that Contractor had not so failed, the termination shall be deemed to have been effected for the convenience of City. In such event, adjustment in the Contract price shall be made as provided in Section 4.3.2. City's rights and remedies are in addition to any other rights and remedies provided by law or under this Contract.

4.6 Remedies Cumulative. City's remedies are cumulative and are not intended to be exclusive of any other remedies or means of redress to which City may be lawfully entitled in case of any breach or threatened breach of any provision of this Contract.

ARTICLE V ADDITIONAL CONTRACTOR OBLIGATIONS

5.1 Inspection and Acceptance. The City will inspect and accept goods provided under this Contract at the shipment destination unless specified otherwise. Inspection will be made and acceptance will be determined by the City department shown in the shipping address of the Purchase Order or other duly authorized representative of City.

5.2 Responsibility for Lost or Damaged Shipments. Contractor bears the risk of loss or damage to goods prior to the time of their receipt and acceptance by City. City has no obligation to accept damaged shipments and reserves the right to return damaged goods, at Contractor's sole expense, even if the damage was not apparent or discovered until after receipt.

5.3 Responsibility for Damages. Contractor is responsible for all damage that occurs as a result of Contractor's fault or negligence or that of its' employees, agents, or representatives in connection with the performance of this Contract. Contractor shall immediately report any such damage to people and/or property to the Contract Administrator.

5.4 Delivery. Delivery shall be made on the delivery day specified in the Contract Documents. The City, in its sole discretion, may extend the time for delivery. The City may order, in writing, the suspension, delay or interruption of delivery of goods and/or services.

5.5 Delay. Unless otherwise specified herein, time is of the essence for each and every provision of the Contract. Contractor must immediately notify City in writing if there is, or it is anticipated that there will be, a delay in performance. The written notice must explain the cause for the delay and provide a reasonable estimate of the length of the delay. City may terminate this Contract as provided herein if City, in its sole discretion, determines the delay is material.

5.5.1 If a delay in performance is caused by any unforeseen event(s) beyond the control of the parties, City may allow Contractor to a reasonable extension of time to complete performance, but Contractor will not be entitled to damages or additional compensation. Any such extension of time must be approved in writing by City. The following conditions may constitute such a delay: war; changes in law or government regulation; labor disputes; strikes; fires, floods, adverse weather or other similar condition of the elements necessitating cessation of the performance; inability to obtain materials, equipment or labor; or other specific reasons agreed to between City and Contractor. This provision does not apply to a delay caused by Contractor's acts or omissions. Contractor is not entitled to an extension of time to perform if a delay is caused by Contractor's inability to obtain materials, equipment, or labor unless City has received, in a timely manner, documentary proof satisfactory to City of Contractor's inability to obtain materials, equipment, or labor, in which case City's approval must be in writing.

5.6 Restrictions and Regulations Requiring Contract Modification. Contractor shall immediately notify City in writing of any regulations or restrictions that may or will require Contractor to alter the material, quality, workmanship, or performance of the goods and/or services to be provided. City reserves the right to accept any such alteration, including any resulting reasonable price adjustments, or to cancel the Contract at no expense to the City.

5.7 Warranties. All goods and/or services provided under the Contract must be warranted by Contractor or manufacturer for at least twelve (12) months after acceptance by City, except automotive equipment. Automotive equipment must be warranted for a minimum of 12,000 miles or 12 months, whichever occurs first, unless otherwise stated in the Contract. Contractor is responsible to City for all warranty service, parts, and labor. Contractor is required to ensure that warranty work is performed at a facility acceptable to City and that services, parts, and labor are available and provided to meet City's schedules and deadlines. Contractor may establish a warranty service contract with an agency satisfactory to City instead of performing the warranty service itself. If Contractor is not an authorized service center and causes any damage to equipment being serviced, which results in the existing warranty being voided, Contractor will be liable for all costs of repairs to the equipment, or the costs of replacing the equipment with new equipment that meets City's operational needs.

5.8 Industry Standards. Contractor shall provide goods and/or services acceptable to City in strict conformance with the Contract. Contractor shall also provide goods and/or services in accordance with the standards customarily adhered to by an experienced and competent provider of the goods and/or services called for under this Contract using the degree of care and skill ordinarily exercised by reputable providers of such goods and/or services. Where approval by City, the Mayor, or other representative of City is required, it is understood to be general approval only and does not relieve Contractor of responsibility for complying with all applicable laws, codes, policies, regulations, and good business practices.

5.9 Records Retention and Examination. Contractor shall retain, protect, and maintain in an accessible location all records and documents, including paper, electronic, and computer records, relating to this Contract for five (5) years after receipt of final payment by City under this Contract. Contractor shall make all such records and documents available for inspection, copying, or other reproduction, and auditing by authorized representatives of City, including the Purchasing Agent or designee. Contractor shall make available all requested data and records at reasonable locations within City or County of San Diego at any time during normal business hours, and as often as City deems necessary. If records are not made available within the City or County of San Diego, Contractor shall pay City's travel costs to the location where the records are maintained and shall pay for all related travel expenses. Failure to make requested records available for inspection, copying, or other reproduction, or auditing by the date requested may result in termination of the Contract. Contractor must include this provision in all subcontracts made in connection with this Contract.

5.9.1 Contractor shall maintain records of all subcontracts entered into with all firms, all project invoices received from Subcontractors and Suppliers, all purchases of materials and services from Suppliers, and all joint venture participation. Records shall show name, telephone number including area code, and business address of each Subcontractor and Supplier, and joint venture partner, and the total amount actually paid to each firm. Project relevant records, regardless of tier, may be periodically reviewed by the City.

5.10 Quality Assurance Meetings. Upon City's request, Contractor shall schedule one or more quality assurance meetings with City's Contract Administrator to discuss Contractor's performance. If requested, Contractor shall schedule the first quality assurance meeting no later than eight (8) weeks from the date of commencement of work under the Contract. At the quality assurance meeting(s), City's Contract Administrator will provide Contractor with feedback, will note any deficiencies in Contract performance, and provide Contractor with an opportunity to address and correct such deficiencies. The total number of quality assurance meetings that may be required by City will depend upon Contractor's performance.

5.11 Duty to Cooperate with Auditor. The City Auditor may, in his sole discretion, at no cost to the City, and for purposes of performing his responsibilities under Charter section 39.2, review Contractor's records to confirm contract compliance. Contractor shall make reasonable efforts to cooperate with Auditor's requests.

5.12 Safety Data Sheets. If specified by City in the solicitation or otherwise required by this Contract, Contractor must send with each shipment one (1) copy of the Safety Data Sheet (SDS) for each item shipped. Failure to comply with this procedure will be cause for immediate termination of the Contract for violation of safety procedures.

5.13 Project Personnel. Except as formally approved by the City, the key personnel identified in Contractor's bid or proposal shall be the individuals who will actually complete the work. Changes in staffing must be reported in writing and approved by the City.

5.13.1 Criminal Background Certification. Contractor certifies that all employees working on this Contract have had a criminal background check and that said employees are clear of any sexual and drug related convictions. Contractor further certifies that all employees hired by Contractor or a subcontractor shall be free from any felony convictions.

5.13.2 Photo Identification Badge. Contractor shall provide a company photo identification badge to any individual assigned by Contractor or subcontractor to perform services or deliver goods on City premises. Such badge must be worn at all times while on City premises. City reserves the right to require Contractor to pay fingerprinting fees for personnel assigned to work in sensitive areas. All employees shall turn in their photo identification badges to Contractor upon completion of services and prior to final payment of invoice.

5.14 Standards of Conduct. Contractor is responsible for maintaining standards of employee competence, conduct, courtesy, appearance, honesty, and integrity satisfactory to the City.

5.14.1 Supervision. Contractor shall provide adequate and competent supervision at all times during the Contract term. Contractor shall be readily available to meet with the City. Contractor shall provide the telephone numbers where its representative(s) can be reached.

5.14.2 City Premises. Contractor's employees and agents shall comply with all City rules and regulations while on City premises.

5.14.3 Removal of Employees. City may request Contractor immediately remove from assignment to the City any employee found unfit to perform duties at the City. Contractor shall comply with all such requests.

5.15 Licenses and Permits. Contractor shall, without additional expense to the City, be responsible for obtaining any necessary licenses, permits, certifications, accreditations, fees and approvals for complying with any federal, state, county, municipal, and other laws, codes, and regulations applicable to Contract performance. This includes, but is not limited to, any laws or regulations requiring the use of licensed contractors to perform parts of the work.

5.16 Contractor and Subcontractor Registration Requirements. Prior to the award of the Contract or Task Order, Contractor and Contractor's subcontractors and suppliers must register with the City's web-based vendor registration and bid management system. The City may not award the Contract until registration of all subcontractors and suppliers is complete. In the event this requirement is not met within the time frame specified by the City, the City reserves the right to rescind the Contract award and to make the award to the next responsive and responsible proposer of bidder.

ARTICLE VI INTELLECTUAL PROPERTY RIGHTS

6.1 Rights in Data. If, in connection with the services performed under this Contract, Contractor or its employees, agents, or subcontractors, create artwork, audio recordings, blueprints, designs, diagrams, documentation, photographs, plans, reports, software, source code, specifications, surveys, system designs, video recordings, or any other original works of authorship, whether written or readable by machine (Deliverable Materials), all rights of Contractor or its subcontractors in the Deliverable Materials, including, but not limited to publication, and registration of copyrights, and trademarks in the Deliverable Materials, are the sole property of City. Contractor, including its employees, agents, and subcontractors, may not use any Deliverable Material for purposes unrelated to Contractor's work on behalf of the City without prior written consent of City. Contractor may not publish or reproduce any Deliverable Materials, for purposes unrelated to Contractor's work on behalf of the City, without the prior written consent of the City.

6.2 Intellectual Property Rights Assignment. For no additional compensation, Contractor hereby assigns to City all of Contractor's rights, title, and interest in and to the content of the Deliverable Materials created by Contractor or its employees, agents, or subcontractors, including copyrights, in connection with the services performed under this Contract. Contractor

shall promptly execute and deliver, and shall cause its employees, agents, and subcontractors to promptly execute and deliver, upon request by the City or any of its successors or assigns at any time and without further compensation of any kind, any power of attorney, assignment, application for copyright, patent, trademark or other intellectual property right protection, or other papers or instruments which may be necessary or desirable to fully secure, perfect or otherwise protect to or for the City, its successors and assigns, all right, title and interest in and to the content of the Deliverable Materials. Contractor also shall cooperate and assist in the prosecution of any action or opposition proceeding involving such intellectual property rights and any adjudication of those rights.

6.3 Contractor Works. Contractor Works means tangible and intangible information and material that: (a) had already been conceived, invented, created, developed or acquired by Contractor prior to the effective date of this Contract; or (b) were conceived, invented, created, or developed by Contractor after the effective date of this Contract, but only to the extent such information and material do not constitute part or all of the Deliverable Materials called for in this Contract. All Contractor Works, and all modifications or derivatives of such Contractor Works, including all intellectual property rights in or pertaining to the same, shall be owned solely and exclusively by Contractor.

6.4 Subcontracting. In the event that Contractor utilizes a subcontractor(s) for any portion of the work that comprises the whole or part of the specified Deliverable Materials to the City, the agreement between Contractor and the subcontractor shall include a statement that identifies the Deliverable Materials as a “works for hire” as described in the United States Copyright Act of 1976, as amended, and that all intellectual property rights in the Deliverable Materials, whether arising in copyright, trademark, service mark or other forms of intellectual property rights, belong to and shall vest solely with the City. Further, the agreement between Contractor and its subcontractor shall require that the subcontractor, if necessary, shall grant, transfer, sell and assign, free of charge, exclusively to City, all titles, rights and interests in and to the Deliverable Materials, including all copyrights, trademarks and other intellectual property rights. City shall have the right to review any such agreement for compliance with this provision.

6.5 Intellectual Property Warranty and Indemnification. Contractor represents and warrants that any materials or deliverables, including all Deliverable Materials, provided under this Contract are either original, or not encumbered, and do not infringe upon the copyright, trademark, patent or other intellectual property rights of any third party, or are in the public domain. If Deliverable Materials provided hereunder become the subject of a claim, suit or allegation of copyright, trademark or patent infringement, City shall have the right, in its sole discretion, to require Contractor to produce, at Contractor’s own expense, new non-infringing materials, deliverables or works as a means of remedying any claim of infringement in addition to any other remedy available to the City under law or equity. Contractor further agrees to indemnify, defend, and hold harmless the City, its officers, employees and agents from and against any and all claims, actions, costs, judgments or damages, of any type, alleging or threatening that any Deliverable Materials, supplies, equipment, services or works provided under this contract infringe the copyright, trademark, patent or other intellectual property or

proprietary rights of any third party (Third Party Claim of Infringement). If a Third Party Claim of Infringement is threatened or made before Contractor receives payment under this Contract, City shall be entitled, upon written notice to Contractor, to withhold some or all of such payment.

6.6 Software Licensing. Contractor represents and warrants that the software, if any, as delivered to City, does not contain any program code, virus, worm, trap door, back door, time or clock that would erase data or programming or otherwise cause the software to become inoperable, inaccessible, or incapable of being used in accordance with its user manuals, either automatically, upon the occurrence of licensor-selected conditions or manually on command. Contractor further represents and warrants that all third party software, delivered to City or used by Contractor in the performance of the Contract, is fully licensed by the appropriate licensor.

6.7 Publication. Contractor may not publish or reproduce any Deliverable Materials, for purposes unrelated to Contractor's work on behalf of the City without prior written consent from the City.

6.8 Royalties, Licenses, and Patents. Unless otherwise specified, Contractor shall pay all royalties, license, and patent fees associated with the goods that are the subject of this solicitation. Contractor warrants that the goods, materials, supplies, and equipment to be supplied do not infringe upon any patent, trademark, or copyright, and further agrees to defend any and all suits, actions and claims for infringement that are brought against the City, and to defend, indemnify and hold harmless the City, its elected officials, officers, and employees from all liability, loss and damages, whether general, exemplary or punitive, suffered as a result of any actual or claimed infringement asserted against the City, Contractor, or those furnishing goods, materials, supplies, or equipment to Contractor under the Contract.

ARTICLE VII INDEMNIFICATION AND INSURANCE

7.1 Indemnification. To the fullest extent permitted by law, Contractor shall defend (with legal counsel reasonably acceptable to City), indemnify, protect, and hold harmless City and its elected officials, officers, employees, agents, and representatives (Indemnified Parties) from and against any and all claims, losses, costs, damages, injuries (including, without limitation, injury to or death of an employee of Contractor or its subcontractors), expense, and liability of every kind, nature and description (including, without limitation, incidental and consequential damages, court costs, and litigation expenses and fees of expert consultants or expert witnesses incurred in connection therewith and costs of investigation) that arise out of, pertain to, or relate to, directly or indirectly, in whole or in part, any goods provided or performance of services under this Contract by Contractor, any subcontractor, anyone directly or indirectly employed by either of them, or anyone that either of them control. Contractor's duty to defend, indemnify, protect and hold harmless shall not include any claims or liabilities arising from the sole negligence or willful misconduct of the Indemnified Parties.

7.2 Insurance. Contractor shall procure and maintain for the duration of the contract insurance against claims for injuries to persons or damages to property which may arise from or in connection with the performance of the work hereunder and the results of that work by Contractor, his agents, representatives, employees or subcontractors.

Contractor shall provide, at a minimum, the following:

7.2.1 Commercial General Liability. Insurance Services Office Form CG 00 01 covering CGL on an "occurrence" basis, including products and completed operations, property damage, bodily injury, and personal and advertising injury with limits no less than \$1,000,000 per occurrence. If a general aggregate limit applies, either the general aggregate limit shall apply separately to this project/location (ISO CG 25 03 or 25 04) or the general aggregate limit shall be twice the required occurrence limit.

7.2.2 Commercial Automobile Liability. Insurance Services Office Form Number CA 0001 covering Code 1 (any auto) or, if Contractor has no owned autos, Code 8 (hired) and 9 (non-owned), with limit no less than \$1,000,000 per accident for bodily injury and property damage.

7.2.3 Workers' Compensation. Insurance as required by the State of California, with Statutory Limits, and Employer's Liability Insurance with limit of no less than \$1,000,000 per accident for bodily injury or disease.

7.2.4 Professional Liability (Errors and Omissions). For consultant contracts, insurance appropriate to Consultant's profession, with limit no less than \$1,000,000 per occurrence or claim, \$2,000,000 aggregate.

If Contractor maintains broader coverage and/or higher limits than the minimums shown above, City requires and shall be entitled to the broader coverage and/or the higher limits maintained by Contractor. Any available insurance proceeds in excess of the specified minimum limits of insurance and coverage shall be available to City.

7.2.5 Other Insurance Provisions. The insurance policies are to contain, or be endorsed to contain, the following provisions:

7.2.5.1 Additional Insured Status. The City, its officers, officials, employees, and volunteers are to be covered as additional insureds on the CGL policy with respect to liability arising out of work or operations performed by or on behalf of Contractor including materials, parts, or equipment furnished in connection with such work or operations. General liability coverage can be provided in the form of an endorsement to Contractor's insurance (at least as broad as ISO Form CG 20 10 11 85 or if not available, through the addition of both CG 20 10, CG 20 26, CG 20 33, or CG 20 38; and CG 20 37 if a later edition is used).

7.2.5.2 Primary Coverage. For any claims related to this contract, Contractor's insurance coverage shall be primary coverage at least as broad as ISO CG 20 01 04 13 as respects the City, its officers, officials, employees, and volunteers. Any insurance or self-insurance maintained by City, its officers, officials, employees, or volunteers shall be excess of Contractor's insurance and shall not contribute with it.

7.2.5.3 Notice of Cancellation. Each insurance policy required above shall provide that coverage shall not be canceled, except with notice to City.

7.2.5.4 Waiver of Subrogation. Contractor hereby grants to City a waiver of any right to subrogation which the Workers' Compensation insurer of said Contractor may acquire against City by virtue of the payment of any loss under such insurance. Contractor agrees to obtain any endorsement that may be necessary to affect this waiver of subrogation, but this provision applies regardless of whether or not the City has received a waiver of subrogation endorsement from the insurer.

7.2.5.5 Claims Made Policies (applicable only to professional liability). The Retroactive Date must be shown, and must be before the date of the contract or the beginning of contract work. Insurance must be maintained and evidence of insurance must be provided for at least five (5) years after completion of the contract of work. If coverage is canceled or non-renewed, and not replaced with another claims-made policy form with a Retroactive Date prior to the contract effective date, Contractor must purchase "extended reporting" coverage for a minimum of five (5) years after completion of work.

7.3 Self Insured Retentions. Self-insured retentions must be declared to and approved by City. City may require Contractor to purchase coverage with a lower retention or provide proof of ability to pay losses and related investigations, claim administration, and defense expenses within the retention. The policy language shall provide, or be endorsed to provide, that the self-insured retention may be satisfied by either the named insured or City.

7.4 Acceptability of Insurers. Insurance is to be placed with insurers with a current A.M. Best's rating of no less than A-VI, unless otherwise acceptable to City.

City will accept insurance provided by non-admitted, "surplus lines" carriers only if the carrier is authorized to do business in the State of California and is included on the List of Approved Surplus Lines Insurers (LASLI list). All policies of insurance carried by non-admitted carriers are subject to all of the requirements for policies of insurance provided by admitted carriers described herein.

7.5 Verification of Coverage. Contractor shall furnish City with original certificates and amendatory endorsements or copies of the applicable policy language effecting coverage required by this clause. All certificates and endorsements are to be received and approved by City before work commences. However, failure to obtain the required documents prior to the work beginning shall not waive Contractor's obligation to provide them. City reserves the right

to require complete, certified copies of all required insurance policies, including endorsements required by these specifications, at any time.

7.6 Special Risks or Circumstances. City reserves the right to modify these requirements, including limits, based on the nature of the risk, prior experience, insurer, coverage, or other special circumstances.

7.7 Additional Insurance. Contractor may obtain additional insurance not required by this Contract.

7.8 Excess Insurance. All policies providing excess coverage to City shall follow the form of the primary policy or policies including but not limited to all endorsements.

7.9 Subcontractors. Contractor shall require and verify that all subcontractors maintain insurance meeting all the requirements stated herein, and Contractor shall ensure that City is an additional insured on insurance required from subcontractors. For CGL coverage, subcontractors shall provide coverage with a format at least as broad as the CG 20 38 04 13 endorsement.

ARTICLE VIII BONDS

8.1 Payment and Performance Bond. Prior to the execution of this Contract, City may require Contractor to post a payment and performance bond (Bond). The Bond shall guarantee Contractor's faithful performance of this Contract and assure payment to contractors, subcontractors, and to persons furnishing goods and/or services under this Contract.

8.1.1 Bond Amount. The Bond shall be in a sum equal to twenty-five percent (25%) of the Contract amount, unless otherwise stated in the Specifications. City may file a claim against the Bond if Contractor fails or refuses to fulfill the terms and provisions of the Contract.

8.1.2 Bond Term. The Bond shall remain in full force and effect at least until complete performance of this Contract and payment of all claims for materials and labor, at which time it will convert to a ten percent (10%) warranty bond, which shall remain in place until the end of the warranty periods set forth in this Contract. The Bond shall be renewed annually, at least sixty (60) days in advance of its expiration, and Contractor shall provide timely proof of annual renewal to City.

8.1.3 Bond Surety. The Bond must be furnished by a company authorized by the State of California Department of Insurance to transact surety business in the State of California and which has a current A.M. Best rating of at least "A-, VIII."

8.1.4 Non-Renewal or Cancellation. The Bond must provide that City and Contractor shall be provided with sixty (60) days' advance written notice in the event of non-renewal, cancellation, or material change to its terms. In the event of non-renewal, cancellation, or

material change to the Bond terms, Contractor shall provide City with evidence of the new source of surety within twenty-one (21) calendar days after the date of the notice of non-renewal, cancellation, or material change. Failure to maintain the Bond, as required herein, in full force and effect as required under this Contract, will be a material breach of the Contract subject to termination of the Contract.

8.2 Alternate Security. City may, at its sole discretion, accept alternate security in the form of an endorsed certificate of deposit, a money order, a certified check drawn on a solvent bank, or other security acceptable to the Purchasing Agent in an amount equal to the required Bond.

ARTICLE IX CITY-MANDATED CLAUSES AND REQUIREMENTS

9.1 Contractor Certification of Compliance. By signing this Contract, Contractor certifies that Contractor is aware of, and will comply with, these City-mandated clauses throughout the duration of the Contract.

9.1.1 Drug-Free Workplace Certification. Contractor shall comply with City's Drug-Free Workplace requirements set forth in Council Policy 100-17, which is incorporated into the Contract by this reference.

9.1.2 Contractor Certification for Americans with Disabilities Act (ADA) and State Access Laws and Regulations: Contractor shall comply with all accessibility requirements under the ADA and under Title 24 of the California Code of Regulations (Title 24). When a conflict exists between the ADA and Title 24, Contractor shall comply with the most restrictive requirement (i.e., that which provides the most access). Contractor also shall comply with the City's ADA Compliance/City Contractors requirements as set forth in Council Policy 100-04, which is incorporated into this Contract by reference. Contractor warrants and certifies compliance with all federal and state access laws and regulations and further certifies that any subcontract agreement for this contract contains language which indicates the subcontractor's agreement to abide by the provisions of the City's Council Policy and any applicable access laws and regulations.

9.1.3 Non-Discrimination Requirements.

9.1.3.1 Compliance with City's Equal Opportunity Contracting Program (EOCP). Contractor shall comply with City's EOCP Requirements. Contractor shall not discriminate against any employee or applicant for employment on any basis prohibited by law. Contractor shall provide equal opportunity in all employment practices. Prime Contractors shall ensure that their subcontractors comply with this program. Nothing in this Section shall be interpreted to hold a Prime Contractor liable for any discriminatory practice of its subcontractors.

9.1.3.2 Non-Discrimination Ordinance. Contractor shall not discriminate on the basis of race, gender, gender expression, gender identity, religion, national origin, ethnicity, sexual orientation, age, or disability in the solicitation, selection, hiring or treatment of

subcontractors, vendors or suppliers. Contractor shall provide equal opportunity for subcontractors to participate in subcontracting opportunities. Contractor understands and agrees that violation of this clause shall be considered a material breach of the Contract and may result in Contract termination, debarment, or other sanctions. Contractor shall ensure that this language is included in contracts between Contractor and any subcontractors, vendors and suppliers.

9.1.3.3 Compliance Investigations. Upon City's request, Contractor agrees to provide to City, within sixty calendar days, a truthful and complete list of the names of all subcontractors, vendors, and suppliers that Contractor has used in the past five years on any of its contracts that were undertaken within San Diego County, including the total dollar amount paid by Contractor for each subcontract or supply contract. Contractor further agrees to fully cooperate in any investigation conducted by City pursuant to City's Nondiscrimination in Contracting Ordinance. Contractor understands and agrees that violation of this clause shall be considered a material breach of the Contract and may result in Contract termination, debarment, and other sanctions.

9.1.4 Equal Benefits Ordinance Certification. Unless an exception applies, Contractor shall comply with the Equal Benefits Ordinance (EBO) codified in the San Diego Municipal Code (SDMC). Failure to maintain equal benefits is a material breach of the Contract.

9.1.5 Contractor Standards. Contractor shall comply with Contractor Standards provisions codified in the SDMC. Contractor understands and agrees that violation of Contractor Standards may be considered a material breach of the Contract and may result in Contract termination, debarment, and other sanctions.

9.1.6 Noise Abatement. Contractor shall operate, conduct, or construct without violating the City's Noise Abatement Ordinance codified in the SDMC.

9.1.7 Storm Water Pollution Prevention Program. Contractor shall comply with the City's Storm Water Management and Discharge Control provisions codified in Division 3 of Chapter 4 of the SDMC, as may be amended, and any and all applicable Best Management Practice guidelines and pollution elimination requirements in performing or delivering services at City owned, leased, or managed property, or in performance of services and activities on behalf of City regardless of location.

Contractor shall comply with the City's Jurisdictional Urban Runoff Management Plan encompassing Citywide programs and activities designed to prevent and reduce storm water pollution within City boundaries as adopted by the City Council on January 22, 2008, via Resolution No. 303351, as may be amended.

Contractor shall comply with each City facility or work site's Storm Water Pollution Prevention Plan, as applicable, and institute all controls needed while completing the services to minimize any negative impact to the storm water collection system and environment.

9.1.8 Service Worker Retention Ordinance. If applicable, Contractor shall comply with the Service Worker Retention Ordinance (SWRO) codified in the SDMC.

9.1.9 Product Endorsement. Contractor shall comply with Council Policy 000-41 concerning product endorsement which requires that any advertisement referring to City as a user of a good or service will require the prior written approval of the Mayor.

9.1.10 Business Tax Certificate. Unless the City Treasurer determines in writing that a contractor is exempt from the payment of business tax, any contractor doing business with the City of San Diego is required to obtain a Business Tax Certificate (BTC) and to provide a copy of its BTC to the City before a Contract is executed.

9.1.11 Equal Pay Ordinance. Unless an exception applies, Contractor shall comply with the Equal Pay Ordinance codified in San Diego Municipal Code sections 22.4801 through 22.4809. Contractor shall certify in writing that it will comply with the requirements of the Equal Pay Ordinance throughout the duration of the Contract.

9.1.11.1 Contractor and Subcontract Requirement. The Equal Pay Ordinance applies to any subcontractor who performs work on behalf of a Contractor to the same extent as it would apply to that Contractor. Contractor shall require subcontractors performing work for contractor under their contract with the City to certify compliance with the Equal Pay Ordinance in their written subcontracts.

9.1.11.2 Notice Requirement. Contractor must post a notice informing its employees of their rights under the Equal Pay Ordinance in their workplace or job site.

ARTICLE X CONFLICT OF INTEREST AND VIOLATIONS OF LAW

10.1 Conflict of Interest Laws. Contractor is subject to all federal, state and local conflict of interest laws, regulations, and policies applicable to public contracts and procurement practices including, but not limited to, California Government Code sections 1090, *et. seq.* and 81000, *et. seq.*, and the Ethics Ordinance, codified in the SDMC. City may determine that Contractor must complete one or more statements of economic interest disclosing relevant financial interests. Upon City's request, Contractor shall submit the necessary documents to City.

10.2 Contractor's Responsibility for Employees and Agents. Contractor is required to establish and make known to its employees and agents appropriate safeguards to prohibit employees from using their positions for a purpose that is, or that gives the appearance of being, motivated by the desire for private gain for themselves or others, particularly those with whom they have family, business or other relationships.

10.3 Contractor's Financial or Organizational Interests. In connection with any task, Contractor shall not recommend or specify any product, supplier, or contractor with whom

Contractor has a direct or indirect financial or organizational interest or relationship that would violate conflict of interest laws, regulations, or policies.

10.4 Certification of Non-Collusion. Contractor certifies that: (1) Contractor's bid or proposal was not made in the interest of or on behalf of any person, firm, or corporation not identified; (2) Contractor did not directly or indirectly induce or solicit any other bidder or proposer to put in a sham bid or proposal; (3) Contractor did not directly or indirectly induce or solicit any other person, firm or corporation to refrain from bidding; and (4) Contractor did not seek by collusion to secure any advantage over the other bidders or proposers.

10.5 Hiring City Employees. This Contract shall be unilaterally and immediately terminated by City if Contractor employs an individual who within the twelve (12) months immediately preceding such employment did in his/her capacity as a City officer or employee participate in negotiations with or otherwise have an influence on the selection of Contractor.

ARTICLE XI DISPUTE RESOLUTION

11.1 Mediation. If a dispute arises out of or relates to this Contract and cannot be settled through normal contract negotiations, Contractor and City shall use mandatory non-binding mediation before having recourse in a court of law.

11.2 Selection of Mediator. A single mediator that is acceptable to both parties shall be used to mediate the dispute. The mediator will be knowledgeable in the subject matter of this Contract, if possible.

11.3 Expenses. The expenses of witnesses for either side shall be paid by the party producing such witnesses. All other expenses of the mediation, including required traveling and other expenses of the mediator, and the cost of any proofs or expert advice produced at the direct request of the mediator, shall be borne equally by the parties, unless they agree otherwise.

11.4 Conduct of Mediation Sessions. Mediation hearings will be conducted in an informal manner and discovery will not be allowed. The discussions, statements, writings and admissions will be confidential to the proceedings (pursuant to California Evidence Code sections 1115 through 1128) and will not be used for any other purpose unless otherwise agreed by the parties in writing. The parties may agree to exchange any information they deem necessary. Both parties shall have a representative attend the mediation who is authorized to settle the dispute, though City's recommendation of settlement may be subject to the approval of the Mayor and City Council. Either party may have attorneys, witnesses or experts present.

11.5 Mediation Results. Any agreements resulting from mediation shall be memorialized in writing. The results of the mediation shall not be final or binding unless otherwise agreed to in writing by the parties. Mediators shall not be subject to any subpoena or liability, and their actions shall not be subject to discovery.

**ARTICLE XII
MANDATORY ASSISTANCE**

12.1 Mandatory Assistance. If a third party dispute or litigation, or both, arises out of, or relates in any way to the services provided to the City under a Contract, Contractor, its agents, officers, and employees agree to assist in resolving the dispute or litigation upon City's request. Contractor's assistance includes, but is not limited to, providing professional consultations, attending mediations, arbitrations, depositions, trials or any event related to the dispute resolution and/or litigation.

12.2 Compensation for Mandatory Assistance. City will compensate Contractor for fees incurred for providing Mandatory Assistance. If, however, the fees incurred for the Mandatory Assistance are determined, through resolution of the third party dispute or litigation, or both, to be attributable in whole, or in part, to the acts or omissions of Contractor, its agents, officers, and employees, Contractor shall reimburse City for all fees paid to Contractor, its agents, officers, and employees for Mandatory Assistance.

12.3 Attorneys' Fees Related to Mandatory Assistance. In providing City with dispute or litigation assistance, Contractor or its agents, officers, and employees may incur expenses and/or costs. Contractor agrees that any attorney fees it may incur as a result of assistance provided under Section 12.2 are not reimbursable.

**ARTICLE XIII
MISCELLANEOUS**

13.1 Headings. All headings are for convenience only and shall not affect the interpretation of this Contract.

13.2 Non-Assignment. Contractor may not assign the obligations under this Contract, whether by express assignment or by sale of the company, nor any monies due or to become due under this Contract, without City's prior written approval. Any assignment in violation of this paragraph shall constitute a default and is grounds for termination of this Contract at the City's sole discretion. In no event shall any putative assignment create a contractual relationship between City and any putative assignee.

13.3 Independent Contractors. Contractor and any subcontractors employed by Contractor are independent contractors and not agents of City. Any provisions of this Contract that may appear to give City any right to direct Contractor concerning the details of performing or providing the goods and/or services, or to exercise any control over performance of the Contract, shall mean only that Contractor shall follow the direction of City concerning the end results of the performance.

13.4 Subcontractors. All persons assigned to perform any work related to this Contract, including any subcontractors, are deemed to be employees of Contractor, and Contractor shall be directly responsible for their work.

13.5 Covenants and Conditions. All provisions of this Contract expressed as either covenants or conditions on the part of City or Contractor shall be deemed to be both covenants and conditions.

13.6 Compliance with Controlling Law. Contractor shall comply with all applicable local, state, and federal laws, regulations, and policies. Contractor's act or omission in violation of applicable local, state, and federal laws, regulations, and policies is grounds for contract termination. In addition to all other remedies or damages allowed by law, Contractor is liable to City for all damages, including costs for substitute performance, sustained as a result of the violation. In addition, Contractor may be subject to suspension, debarment, or both.

13.7 Governing Law. The Contract shall be deemed to be made under, construed in accordance with, and governed by the laws of the State of California without regard to the conflicts or choice of law provisions thereof.

13.8 Venue. The venue for any suit concerning solicitations or the Contract, the interpretation of application of any of its terms and conditions, or any related disputes shall be in the County of San Diego, State of California.

13.9 Successors in Interest. This Contract and all rights and obligations created by this Contract shall be in force and effect whether or not any parties to the Contract have been succeeded by another entity, and all rights and obligations created by this Contract shall be vested and binding on any party's successor in interest.

13.10 No Waiver. No failure of either City or Contractor to insist upon the strict performance by the other of any covenant, term or condition of this Contract, nor any failure to exercise any right or remedy consequent upon a breach of any covenant, term, or condition of this Contract, shall constitute a waiver of any such breach of such covenant, term or condition. No waiver of any breach shall affect or alter this Contract, and each and every covenant, condition, and term hereof shall continue in full force and effect without respect to any existing or subsequent breach.

13.11 Severability. The unenforceability, invalidity, or illegality of any provision of this Contract shall not render any other provision of this Contract unenforceable, invalid, or illegal.

13.12 Drafting Ambiguities. The parties acknowledge that they have the right to be advised by legal counsel with respect to the negotiations, terms and conditions of this Contract, and the decision of whether to seek advice of legal counsel with respect to this Contract is the sole responsibility of each party. This Contract shall not be construed in favor of or against either party by reason of the extent to which each party participated in the drafting of the Contract.

13.13 Amendments. Neither this Contract nor any provision hereof may be changed, modified, amended or waived except by a written agreement executed by duly authorized representatives of City and Contractor. Any alleged oral amendments have no force or effect. The Purchasing Agent must sign all Contract amendments.

13.14 Conflicts Between Terms. If this Contract conflicts with an applicable local, state, or federal law, regulation, or court order, applicable local, state, or federal law, regulation, or court order shall control. Varying degrees of stringency among the main body of this Contract, the exhibits or attachments, and laws, regulations, or orders are not deemed conflicts, and the most stringent requirement shall control. Each party shall notify the other immediately upon the identification of any apparent conflict or inconsistency concerning this Contract.

13.15 Survival of Obligations. All representations, indemnifications, warranties, and guarantees made in, required by, or given in accordance with this Contract, as well as all continuing obligations indicated in this Contract, shall survive, completion and acceptance of performance and termination, expiration or completion of the Contract.

13.16 Confidentiality of Services. All services performed by Contractor, and any sub-contractor(s) if applicable, including but not limited to all drafts, data, information, correspondence, proposals, reports of any nature, estimates compiled or composed by Contractor, are for the sole use of City, its agents, and employees. Neither the documents nor their contents shall be released by Contractor or any subcontractor to any third party without the prior written consent of City. This provision does not apply to information that: (1) was publicly known, or otherwise known to Contractor, at the time it was disclosed to Contractor by City; (2) subsequently becomes publicly known through no act or omission of Contractor; or (3) otherwise becomes known to Contractor other than through disclosure by City.

13.17 Insolvency. If Contractor enters into proceedings relating to bankruptcy, whether voluntary or involuntary, Contractor agrees to furnish, by certified mail or electronic commerce method authorized by the Contract, written notification of the bankruptcy to the Purchasing Agent and the Contract Administrator responsible for administering the Contract. This notification shall be furnished within five (5) days of the initiation of the proceedings relating to bankruptcy filing. This notification shall include the date on which the bankruptcy petition was filed, the identity of the court in which the bankruptcy petition was filed, and a listing of City contract numbers and contracting offices for all City contracts against which final payment has not been made. This obligation remains in effect until final payment is made under this Contract.

13.18 No Third Party Beneficiaries. Except as may be specifically set forth in this Contract, none of the provisions of this Contract are intended to benefit any third party not specifically referenced herein. No party other than City and Contractor shall have the right to enforce any of the provisions of this Contract.

13.19 Actions of City in its Governmental Capacity. Nothing in this Contract shall be interpreted as limiting the rights and obligations of City in its governmental or regulatory capacity.

**ITB 10089587-20-B, Meter Boxes and Poly Con Lids
Questions and Answers**

Question 1: Where does the bidder state if unit price is based on a total award? or is this already a lump sum bid?

Answer 1: This is not a lump sum bid. The unit price is based on total award.

Question 2: Under scope of work Exhibit B part B Bid specifications it states pricing items 5-6 covers are to be installed in non-traffic areas and shall have cast iron reader lids that open less than (90) degrees. Current product being supplied has not been with reader lids per the city when purchasing direct. What is the correct product being requested for this ITB? With or without read lid? Also, city SDW 136 drawings included in ITB exclude the reader lids?

Answer 2: Items 5 and 6 do not require read lids, as specified.

Paragraph G. Pricing Schedule, Section A: Goods, Item 7 has been revised to correct the City's drawing number.

Question 3: Several part number items listed on Attachment A are not in the pricing request, confirm that these items are not being bid?

Answer 3: Attachment A is to be used for reference only.

Question 4: Exhibit B Section B Bid specifications under part 4 Drawings it states Three (3) copies are to be submitted before the bid opening, are these drawings required of approved product and product currently being purchased already from certain manufacturers?

Answer 4: Yes. Drawings are required for approved products and products currently purchased by the City.

Question 5: Exhibit B Section C Samples part 1 it states two (2) samples of each item listed on pricing pages 3 and 4 are to be supplied for testing prior to bid opening. Is this required of current product currently used and approved or just for those seeking to gain approval?

Answer 5: Any product that is not currently on the City's approved material list will require approval by the City.

Question 6: Exhibit B (page 3) Section C Samples part 2 Meter boxes and Poly Con lid sample after award second paragraph it states Meter boxes and lids shall be delivered separately. Meter boxes shall not be stacked more than ten (8) highis it 10 or 8 high? contradict each other?

**ITB 10089587-20-B, Meter Boxes and Poly Con Lids
Questions and Answers**

Answer 6: Exhibit B, Section C, item 2 has been changed. Meter boxes shall be eight (8) high.

Question 7: Exhibit B Section D Delivery Requirements 4th paragraph page 3 it states all deliveries must be accompanied by an invoice or delivery receipt which includes the price of the item being delivered. Typically, pricing is not part of the detailed bill of lading and packing slip provided due to confidentiality reasons for distribution and the cities internal control as well. Is this required?

Answer 7: Yes, as specified.

Question 8: Exhibit B Section E Certification Statement. You are requesting a life expectancy of twenty (20) years. With written statements from three (3) different municipalities/water surveyors stating satisfactory performance for at least ten (10) years without indication of material degradation shall be accepted as reasonable proof of achieving the twenty (20) year requirement. - Is this required of an approved supplier who has supplied thousands of the listed approved products for over the past 15 years to the City of San Diego itself?

Answer 8: Yes, all bidders shall provide written certification statements, as specified.

Question 9: Being it is a 5-year contract just want to verify that all is required is One (1) year firm pricing. Additional years may be subject to escalation if needed. Yes or No?

Answer 9: See Exhibit C, paragraph 3.4 *Price Adjustments* on page 4 of 21 of the General Contract Terms and Provisions.

CITY OF SAN DIEGO

PURCHASING & CONTRACTING DEPARTMENT

1200 Third Avenue, Suite 200

San Diego, CA 92101-4195

Fax: (619) 236-5904

ADDENDUM A

Invitation to Bid (ITB) 10089587-20-B

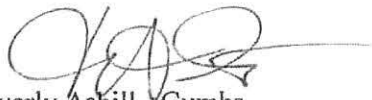
Revised ITB Closing Date: **October 7, 2019**
@ 3:00 p.m. P.T.

Bid for furnishing the City of San Diego with **Meter Boxes and Poly Con Lids**

The following changes to the specifications are hereby made effective as though they were originally shown and/or written:

- ✓ 1. The ITB closing date has been changed from September 26, 2019 @ 3:00 p.m. to October 7, 2019, @ 3:00 p.m. P.T.
- ✓ 2. Remove the original ITB cover page and replace with the attached Addendum A ITB Cover Page.
- ✓ 3. Remove the original ITB Contract Signature Page 3 of 9 and replace with the attached Addendum A ITB Contract Signature Page 3 of 9.
- ✓ 4. Remove the original Exhibit B – Scope of Work, page 3 and replace with the attached Addendum A, Exhibit B – Scope of Work, page 3. (NOTE: Section C, item 2 has been changed.)
- ✓ 5. Remove the original Exhibit B – Scope of Work, Section A: Goods page 5 and replace with the attached Addendum A, Exhibit B – Scope of Work, Section A: Goods page 5. (NOTE: Item No. 7 has been changed.)
- ✓ 6. Add one (1) page “Questions and Answers”. (NOTE: The questions and answers are being provided for informational purposes only, and are not part of any resulting contract from this ITB.)

CITY OF SAN DIEGO PURCHASING & CONTRACTING DEPARTMENT



Beverly Asbill - Gumbs
Senior Procurement Contracting Officer
(619) 236-5923

September 25, 2019

ADDENDUM A
September 25, 2019



ARMORCAST PRODUCTS COMPANY

9140 Lurline Avenue
Chatsworth, California 91311
Telephone: (818) 982-3600
Fax: (818) 982-7742

October 1, 2019

City of San Diego
Purchasing & Contracting Department
1200 Third Ave.
Suite 200
San Diego, CA 92101

Subject: Certification Statement

This letter is to state that the listed customer references in our bid package have used Armorcast product for over 15 years plus each without indication of material degradation. It also should be noted that as the primary example of meeting this criteria, the City of San Diego itself has been using Armorcast product as specified within the bid for over 15 years without any known indication of material degradation.

Regards,

Barry D. Carpenter

Vice President – Sales & Marketing